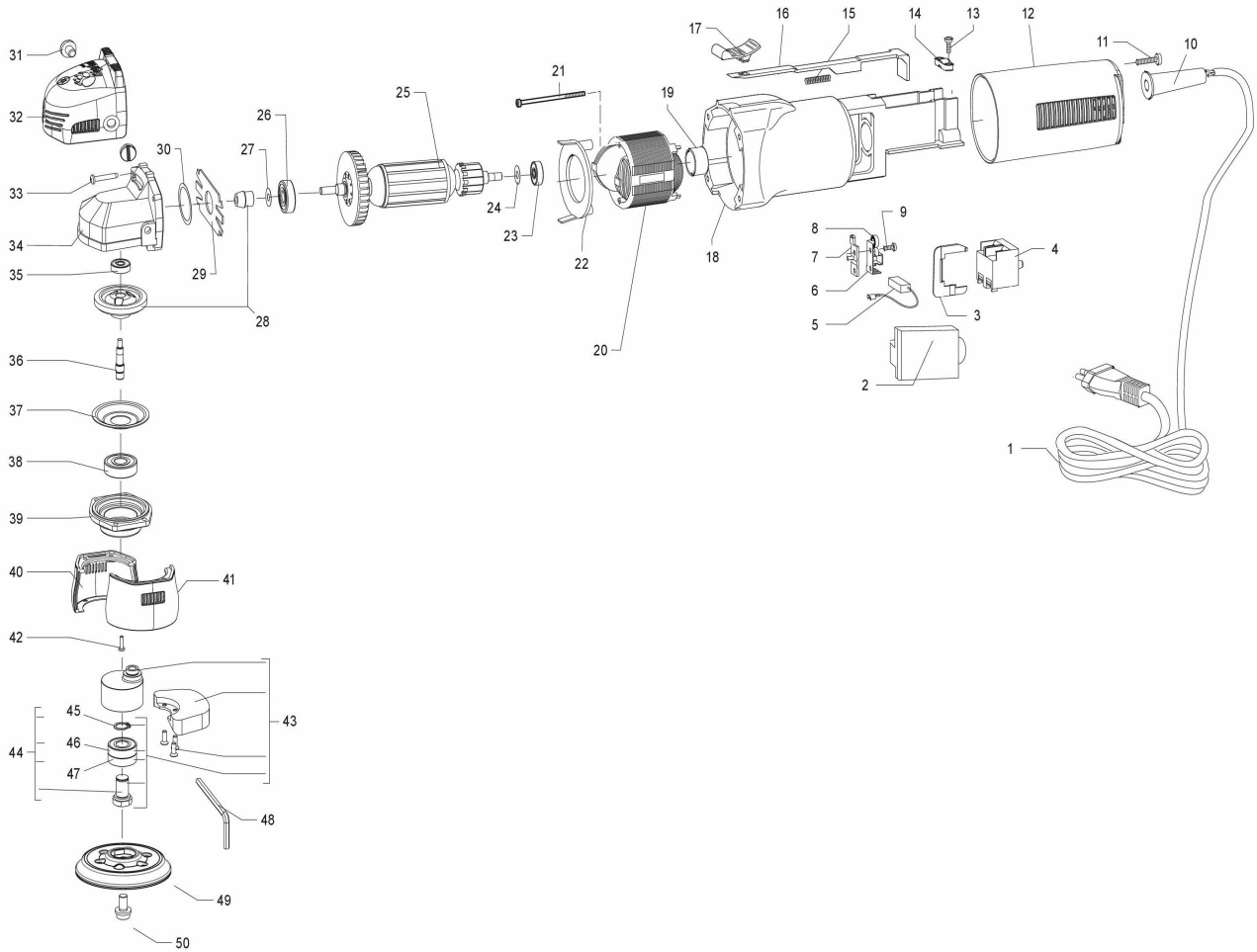


LUCIDATRICE ROTORBITALI
RANDOM-ORBITAL POLISHER

LHR75E



| ID | ITEM | DESCRIPTION |
|-----|-----------------|--|
| 000 | 9C2X0,8VUS9O | CABLE 2x18AWG plug USA polarized 9mt. + eye |
| 000 | 9C2X1,25VJA9FOR | CABLE 2x1,25 (plug JAPAN) mt.9 with fork |
| 001 | 9C2X1,0N489FOR | CABLE 2X1 (plug Schuko d4,8) mt.9 H07RN-F FLEX |
| 001 | 9C2X1,0NGB4FOR | CABLE 2X1 (plug UK) with fork H07RN-F CENTRAL METAL PLUG |
| 001 | 9C2X1,0R404FOR | CABLE 2X1 (plug D4) H07RN-F mt.4 with fork (only Swiss) |
| 001 | 9C2X1,0NAU9FOR | CABLE 2X1 (plug Australia) H07RN-F mt.9 |
| 002 | 400.247 | ELECTRONIC MODULE |
| 002 | 400.247/120 | ELECTRONIC MODULE |
| 003 | 382.247 | SWITCH SEPARATOR |
| 004 | 45.210 | SWITCH |
| 005 | 47.105/10 | BLISTER WITH 10 PC. BRUSHES BA215 |
| 006 | 46.105 | BRUSH HOLDER BA215-LH18ENS |
| 007 | 462.105 | BRUSH HOLDER PLATE |
| 008 | 461.105 | SPRING BRUSH HOLDER BA21 BURNISHED |
| 009 | 9.551 | SCREW 2,9x13 (4x1/2") T.C.C. |
| 010 | 42.105 | CABLE SLEEVE BA21-BR51 |
| 011 | 9.664 | SCREW 3,9x19 (7x3/4") T.C.C. |
| 012 | 44.247/UL | REAR CAP UL material |
| 012 | 44.247 | LHR12E BACK CAP |
| 013 | 9.660 | SCREW 3,9x16 (7x5/8") T.C.C. |
| 014 | 442.55 | CABLE CLAMP |
| 015 | 75.105 | SPRING |
| 016 | 38.247 | BEAM SWITCH |
| 017 | 381.247 | RUBBER BUTTON ON/OFF |
| 018 | 31.247/UL | MOTOR BODY(UL material) |
| 018 | 31.247 | MOTOR BODY |
| 019 | 268.105 | BEARING CAP |
| 020 | 2.247/230 | STATOR (V.230) |
| 020 | 2.247/120 | STATOR (V.120) |
| 020 | 2.247/100 | STATOR (V.100) |
| 021 | 9.570 | SCREW 2,9x60 (4x2"3/8)T.C.C. |
| 022 | 73.105 | AIR BULKHEAD |
| 023 | 9.14/10 | BEARING 626ZZ |
| 024 | 9.318 | STEEL WASHER d15 x 6,1 s 0,15 |
| 025 | 1.247/230 | ROTOR (V.230) |
| 025 | 1.247/120 | ROTOR (V.120) |
| 025 | 1.247/100 | ROTOR (V.100) |
| 026 | 9.187/10 | BEARING 629 2BRS R66 FA227 |
| 027 | 9.318 | STEEL WASHER d15 x 6,1 s 0,15 |
| 028 | 50.245 | GEAR SET |
| 029 | 351.105 | MOTOR BODY LITTLE COVER |
| 030 | 9.364 | STEEL WASHER d25,9x21 s 0,1 |
| 031 | 812.91 | SCREW M8 x 15 T.C.IN NYLON A T. |
| 032 | 81.248 | CAP |
| 033 | 9.679 | SCREW 4,2x25 (8x1") T.C.C. |
| 034 | 32.247/C | COMPLETE GEAR BOX |
| 035 | 9.14/10 | BEARING 626ZZ |
| 036 | 511.123 | SPINDLE SHAFT |
| 037 | 35.105 | FLANGE PLATE BA21-SL41 |
| 038 | 9.190/10 | BEARING 6201 DDW1CM D ENSS6 |
| 039 | 33.247 | FLANGE |
| 040 | 652.248 | PROTECTIVE CAP |
| 041 | 652.248 | PROTECTIVE CAP |
| 042 | 9.835 | SCREW M4 x 20 T.C.C. 8G BURNISHED + |
| 043 | 58.248/C | ECCENTRIC ASSEMBLY |
| 044 | 560.197/C | BALANCER SHAFT GROUP |

| ID | ITEM | DESCRIPTION |
|-----|---------|--|
| 045 | 9.120 | SEEGER |
| 046 | 9.83/10 | BEARING 629 2Z |
| 047 | 9.83/10 | BEARING 629 2Z |
| 048 | 9.1395 | ALLEN SPANNER 5mm |
| 049 | 990.007 | Ø 75mm PAD VELCRO M6 FOR LHR75 |
| 050 | 9.820 | SCREW M6 x 16 UNI 4762 TC RECESS HEXAGONAL |